



PHOENIX

SPECIFICATIONS

ZIMI

BASIN MIXER (NO HANDLE)

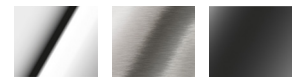
PRODUCT CODE: 116-7703-00
 FINISH: CHROME
 WELS: 5 STAR - 6.0 LT/MIN

INFORMATION:

TEMPERATURE RATING: MIN 1° - MAX 75°
 PRESSURE RATING: MIN 150 kPa - MAX 500 kPa

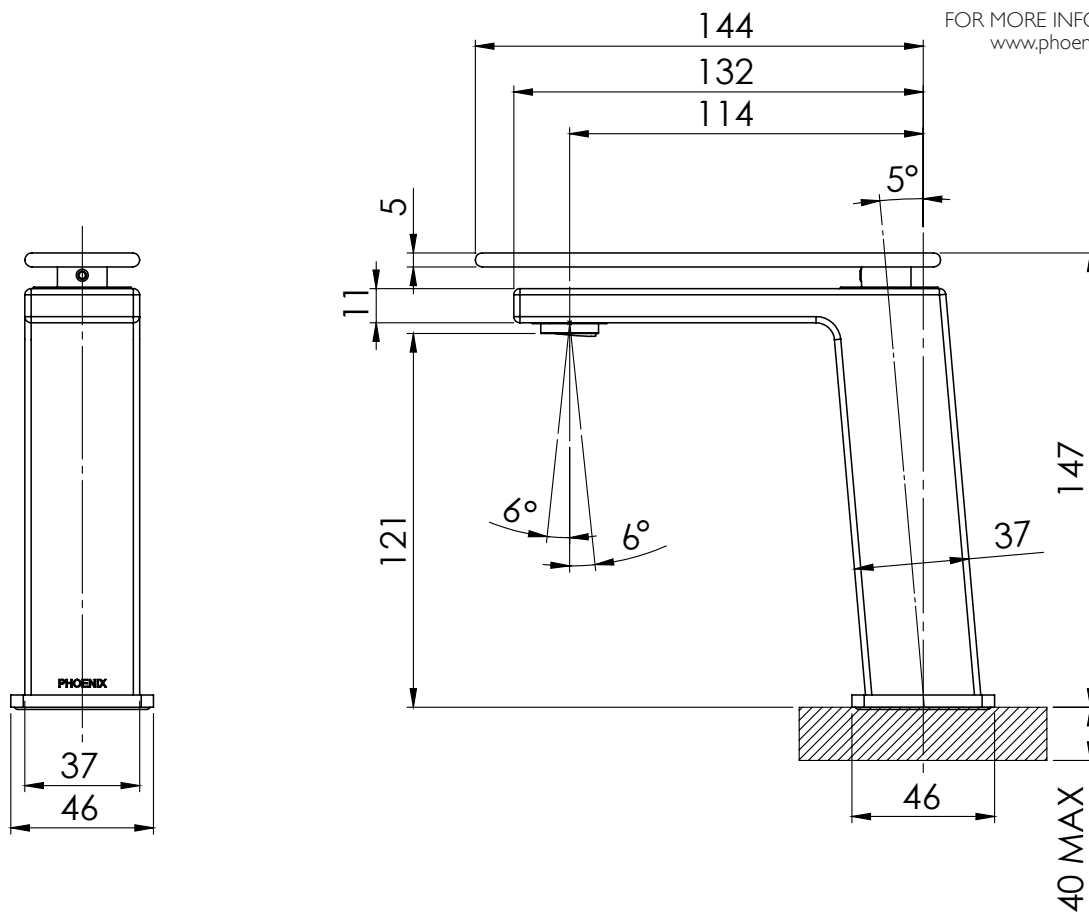


AVAILABLE IN:



CHROME BRUSHED NICKEL MATTE BLACK

FOR MORE INFORMATION VISIT
www.phoenixtapware.com.au



PLEASE [CLICK HERE TO VIEW FULL WARRANTY](#)

While we aim to ensure the specifications shown are correct at time of printing, Phoenix Tapware reserves the right to make modifications without prior notice. Always use the physical product measurements for mark-ups and roughing-in as the line drawing shown may differ from the actual product over time. All measurements are shown in millimetres. Some colours may vary across product types due to differing construction materials. Printed images are a representation only and the colour or finish may vary from the actual product.

A Registered Design and Trademark of Phoenix Industries Pty. Ltd

V210319

www.phoenixtapware.com.au
 03 9780 4200



PHOENIX

SPECIFICATIONS

ZIMI

BASIN MIXER (NO HANDLE)

PRODUCT CODE:

116-7703-00

FINISH:

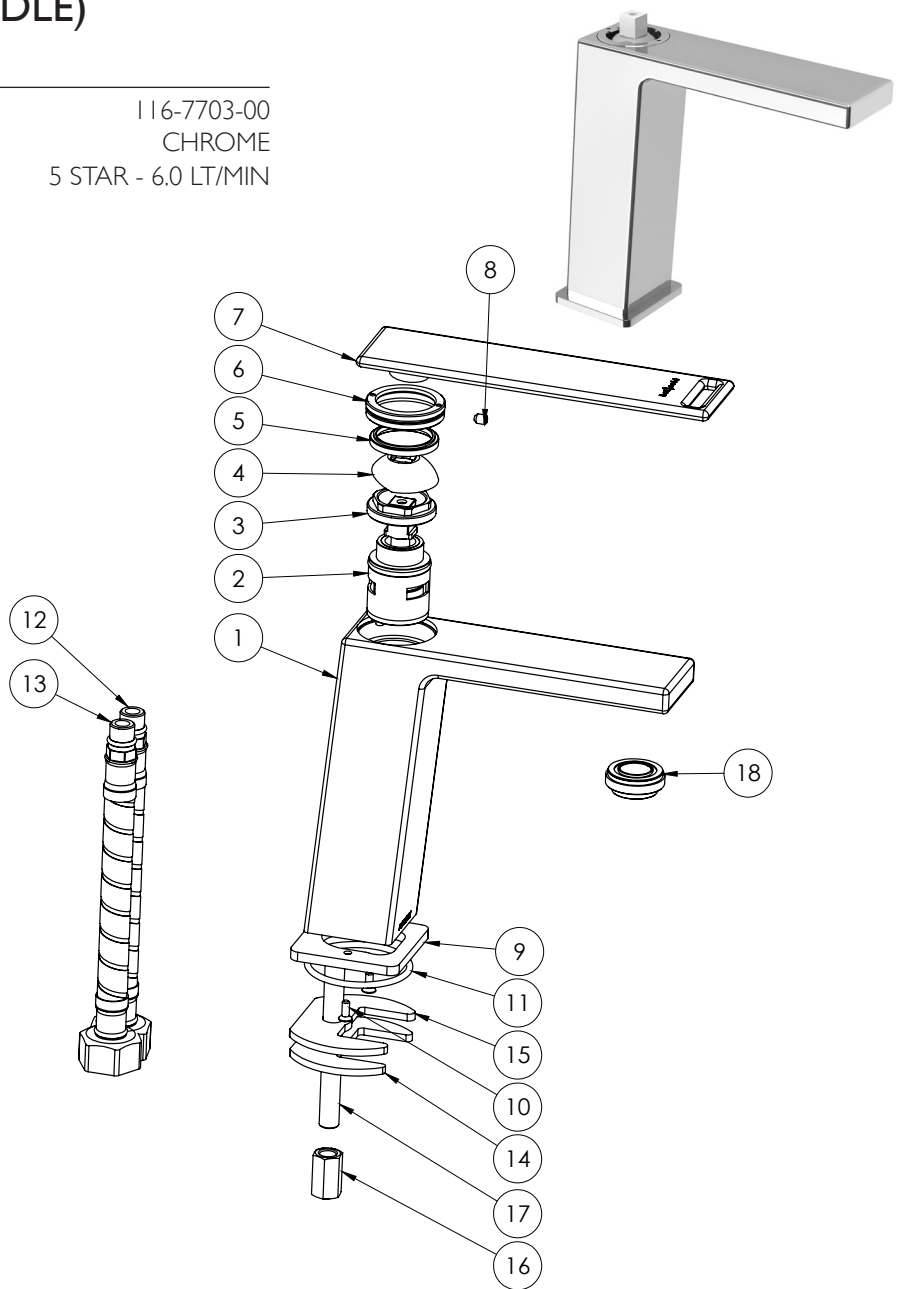
CHROME

WELS:

5 STAR - 6.0 LT/MIN

PARTS LIST

1. BASIN BODY
2. 25MM CARTRIDGE
3. LOCKNUT
4. DOME
5. RETAINER WASHER
6. DOME RETAINER
7. MIXER HANDLE (NOT INCLUDED)
8. GRUB SCREW M4X5
9. DRESSPLATE
10. SCREW
11. O-RING
12. FLEXIBLE HOSE 450MM COLD
13. FLEXIBLE HOSE 450MM HOT
14. FIXING PLATE
15. FIXING PLATE RUBBER
16. M8 NUT
17. M8 THREADED ROD
18. AERATOR



MAINTENANCE AND CARE:

- All surfaces should be cleaned with mild liquid detergent or soap and water.
- Do not use cream cleaners or citrus based cleaning products, as they are abrasive.
- Use of unsuitable cleaning agents may damage the surface. Any damage caused in this way will not be covered by warranty.

PACKAGING INCLUDES

- 1 x Basin mixer (no handle)
- 1 x 450mm braided flexible cold hose
- 1 x 450mm braided flexible hot hose
- 1 x Installation kit
- 1 x Installation instructions
- 1 x Warranty card

PLEASE [CLICK HERE](#) TO VIEW FULL WARRANTY

While we aim to ensure the specifications shown are correct at time of printing, Phoenix Tapware reserves the right to make modifications without prior notice. Always use the physical product measurements for mark-ups and roughing-in as the line drawing shown may differ from the actual product over time. All measurements are shown in millimetres. Some colours may vary across product types due to differing construction materials. Printed images are a representation only and the colour or finish may vary from the actual product.

A Registered Design and Trademark of Phoenix Industries Pty, Ltd

V210319

www.phoenixtapware.com.au

03 9780 4200